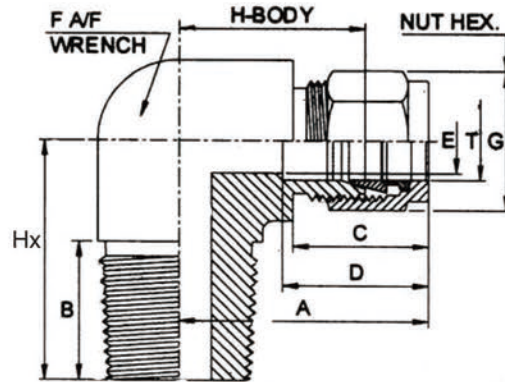


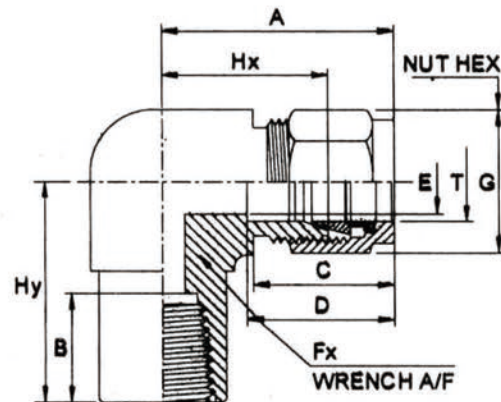


## SPEM Male Elbow



Size OD-Thread	Part Number	A	B	Hx	D	E Min	F A/F	G A/F	H Body	C
1/8-1/8	SPEM22	23.6	9.5	17	15.3	12.7	2.4	11	11	17.8
1/4-1/4	SPEM44	27	14	19.5	17.7	15.3	4.8	14	14	23.4
3/8-1/4	SPEM64	30.5	14	23.1	19.3	16.8	7.1	16	17	25.4
3/8-3/8	SPEM66	31.2	14	23.9	19.3	16.8	7.1	17	17	26.2
1/2-1/2	SPEM88	36	19	25.9	22	22.9	10.3	22	22	33
3/4-3/4	SPEM1212	39.8	19	29.7	22	24.4	15.9	27	28.5	36.8
1-1	SPEM1616	49.1	23.8	36.8	26.5	31	22.2	36	38.1	46.5

## SPEF Female Elbow



Size OD-Thread	Part Number	A	B	C	D	E Min	Fx A/F	Gx A/F	Hy	Hx Body
1/4-1/4	SPEF44	30	14	17.7	15.3	4.7	19	14	21.4	22.2
3/8-3/8	SPEF66	34	14	19.3	16.8	7.1	22	17	21.4	26
1/2-1/2	SPEF88	39	19	22	22.9	10.4	27	22	27	28.7